

REV.	ECN NO.	ADDP.
H	0504003	Joseph Chau 8/1/2014

FEATURE:

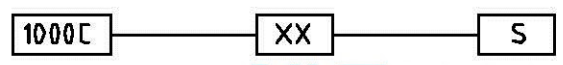
INSULATOR
Glass-Filled P.B.T. is 94V-0 rated
CONTACT
Phosphor Bronze selective gold plating
over nickel

SPECIFICATION:

Current Rating : 3 amperes
Contact Resistance : 20 miniohms max.
Operation Temperature : -55°c to +105°c
Voltage Rating : 800 VAC 1 minute
Insulation Resistance : 5000 megaohms min.

NOTE:
ORDERING INFORMATION

ex
SERIES NO. CONTACTS NO. ROW TO ROW

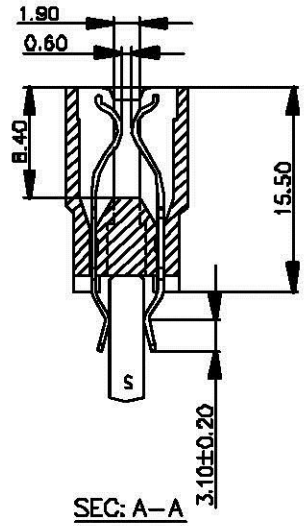
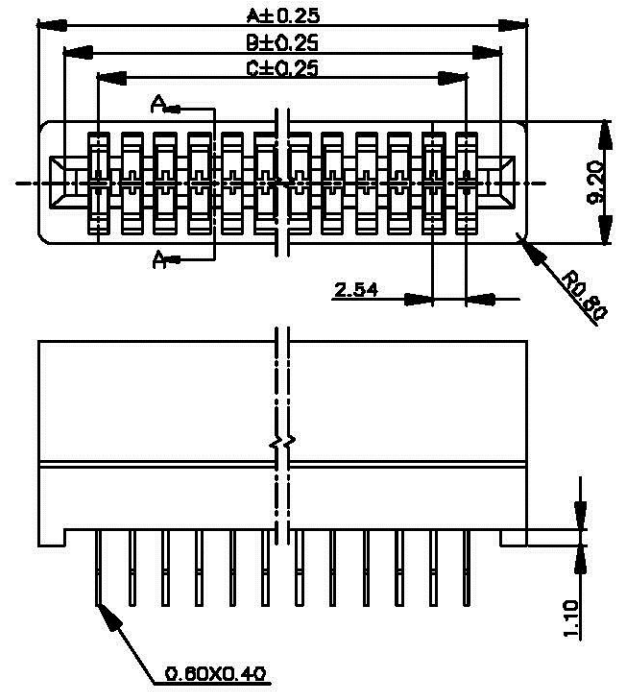


Allconnectors

www.allconnectors.de
Tel.: 0049 711 7009503
70794 Filderstadt - Germany
info@allconnectors.de
Fax: 0049 711 7009504
Kettenerstr. 25

Row To Row	S
A	1.60mm
B	2.54mm
C	3.81mm

X± 1.10	X± 1.38	XX± 0.25	NAME INTENDED USE
X*	X*	XX*	EDGE CARD CONN.
UNITS: mm	DATE: 8/1/2014	PART NO. INTENDED USE	TITLE
MATL:	CONTACT: PHOSPHOR BRONZE	1100C SERIES	EDGE CONNECTOR 2.54mm PITCH
	HOUSING: P.B.T. UL94V-0	APPR: Joseph Chau	WITHOUT MOUNTING EARS
		APPR: Ching-Yi Yu	CLIP TYPE
		DR: Zi.Hsiang.Chen	DWG NO. 010-0000-51C
			SCALE SHEET REV
			N/A 1/1 H



CONTACTS NO	DIM A	DIM B	DIM C	CONTACTS NO	DIM A	DIM B	DIM C
2/4	11.68	7.82	2.54	18/36	52.32	48.46	43.18
3/6	14.22	10.36	5.18	19/38	54.86	51.00	45.72
4/8	16.76	12.90	7.62	20/40	57.41	53.54	48.26
5/10	19.30	15.44	10.16	22/44	62.48	58.62	53.34
6/12	21.84	17.98	12.70	24/48	67.56	63.70	58.42
7/14	24.38	21.52	15.24	25/50	70.10	66.24	61.96
8/16	26.92	23.06	17.78	30/60	82.80	78.94	73.66
9/18	29.46	25.60	20.32	31/62	85.34	81.48	76.20
11/20	32.00	28.14	22.86	32/64	87.88	84.02	78.74
11/22	34.54	31.68	25.40	35/70	95.50	91.64	86.36
12/24	37.08	33.22	27.94	36/72	98.04	94.18	88.90
13/26	39.62	35.76	30.48	40/80	118.20	104.34	99.06
14/28	42.16	38.31	33.02	43/86	115.82	111.96	116.68
15/30	44.71	40.84	35.56	49/98	138.68	134.82	129.54
16/32	47.24	43.38	38.10	51/110	133.60	129.74	124.46
17/34	49.78	45.92	40.64				